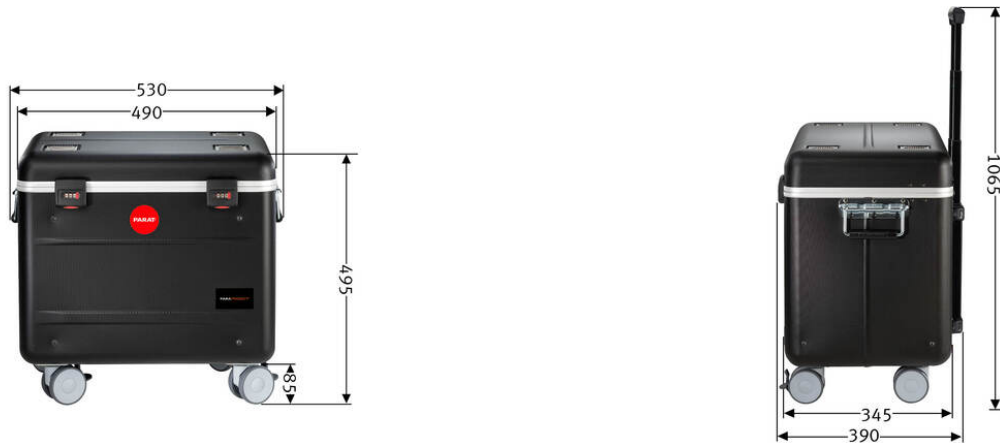


# PARAPROJECT®

## Case i10, EDUCOVER®+/KidsCover

charging , synchronisation , transport , storage , Flex2Connect



Part denomination	PARAPROJECT Case i10, EDUCOVER®+/KidsCover Charge&Sync, incl. USB Lightning® cable, black
Part number	208.617-151
GTIN /EAN	4006793000629
Field of application	Education , Health Care
Certificates	CE / REACH / RoHS
Applicable standards	DIN EN 60950-1 / DIN EN 55022 / DIN EN 55035
Scope of delivery	<ul style="list-style-type: none"> <li>- PARAPROJECT® Case i10 EDUCOVER®+/KidsCover</li> <li>- device connection cable, EU, length: 5 m</li> <li>- USB connection cable, length: 3 m</li> <li>- 10 data and charging cable USB-A to Lightning®</li> <li>- y-adapter, C14 plug with 1 IBM sockets (C5, 3-pin) and 1 EURO-8-socket (C7, 2-pin, AUX 1)</li> <li>- y-adapter, C14 plug with 1 Euroflat socket (2-pin) and 1 EURO-8-socket (C7, 2-pin, AUX 2)</li> <li>- user guide</li> </ul>
Materials	<ul style="list-style-type: none"> <li>- aluminium</li> <li>- Con-Pearl®</li> <li>- X-ABS plastic</li> <li>- industrial leather</li> </ul>
Transport	4-fold telescopic handle / 2 carrying handles / combination lock / 4 smooth-running castors ø 75 mm (with 2 lockable castors)
External dimensions (WxDxH)	530 mm x 390 mm x 495 mm
Weight	6900 g
Transport dimensions	540 mm x 400 mm x 530 mm
Dimensions of euro-pallets	1200 mm x 800 mm x 1740 mm
Number of euro-pallet	12
customs tariff number	85044083
Country of origin	RO

# PARAPROJECT®

## Case i10, EDUCOVER®+/KidsCover

charging , synchronisation , transport , storage , Flex2Connect

Fittings	<ul style="list-style-type: none"> <li>- Interior technical equipment:</li> <li>- 10 storage compartments (W x D x H: 29 x 210 x 310 mm) for iPad/tablets</li> <li>- storage compartments (W x D x H: 28 x 235 x 260 mm) for master laptop</li> <li>- sync and charging unit</li> <li>- 10 data and charging cable USB-A to USB-C®</li> <li>- internal timer to set charge time limit</li> <li>- temperature sensor</li> <li>- Case lid:</li> <li>- pocket with zipper, pocket with velcro fastener and push-in compartment with rubber loop</li> <li>- air vents in the lid and bottom tray</li> <li>- External technical equipment:</li> <li>- central power supply with protective cap</li> <li>- USB-B port for sync function</li> <li>- RJ 45 network socket for e.g. access point</li> <li>- 4-fold telescopic handle</li> <li>- 2 carrying handles</li> <li>- combination lock</li> <li>- 4 smooth-running castors ø 75 mm (with 2 lockable castors)</li> </ul>
Compatible devices	all iPad 4G and beyond as well as all iPad Mini
Max. number of devices	10
Operating system	iOS
Cable types for equipment	USB-A Daten- und Ladekabel auf Lightning® Connector mit LED-Anzeige ; Y-Adapter Kabel, C14-Stecker auf 1 IBM-Buchse (C5, 3-polig) und 1 Euro-8-Buchse (C7, 2-polig, AUX 1) ; Y-Adapter Kabel, C14-Stecker auf 1 Euroflach-Buchse (2-polig) und 1 Euro-8-Buchse (C7, 2-polig, AUX 2)
Power supply	central power unit for the entire power supply of devices
Output power per port	5V / up to 2,4A / up to 12w
Optional accessories	<ul style="list-style-type: none"> <li>- data and charging cable USB-C® to USB-C®</li> <li>- data and charging cable USB-C® to Lightning®</li> <li>- data and charging cable with LED display USB-A to Lightning®</li> <li>- data and charging cable USB-A to USB-C®</li> <li>- KidsCover</li> <li>- EDUCOVER®</li> </ul>
Lock types	combination lock
Connections	<ul style="list-style-type: none"> <li>- outside:</li> <li>- central power supply with protective cap</li> <li>- USB-B port for sync function</li> <li>- RJ 45 network socket for e.g. access point</li> <li>- optional: HDMI port</li> <li>- inside:</li> <li>- main switch</li> <li>- 10 USB-A for Flex2Connect</li> <li>- Y-Adapter Kabel, C14-Stecker auf 1 IBM-Buchse (C5, 3-polig) und 1 Euro-8-Buchse (C7, 2-polig, AUX 1)</li> <li>- Y-Adapter Kabel, C14-Stecker auf 1 Euroflach-Buchse (2-polig) und 1 Euro-8-Buchse (C7, 2-polig, AUX 2)</li> </ul>
Data of currents	<ul style="list-style-type: none"> <li>- 100 - 240 V</li> <li>- max. 3,6 A</li> <li>- 50 / 60 Hz</li> </ul>
Dimension of pockets	linkes Fach (BxTxH): 310 x 210 x 320 mm; rechtes Fach (BxTxH): 130 x 240 x 320 mm (+ jeweils 50 mm zusätzliche Höhe dank Kofferdeckel)
Dimensions of other pockets	28 x 235 x 320 mm (+ 50 mm zusätzliche Höhe dank Kofferdeckel)
Color	black

product image similar / information without content / subject to errors and changes / all dimensions in mm

# PARAPROJECT®

## Case i10, EDUCOVER®+/KidsCover

charging , synchronisation , transport , storage , Flex2Connect



- central power supply with protective cap



- 10x USB data and charging cable to lightning connector with LED display